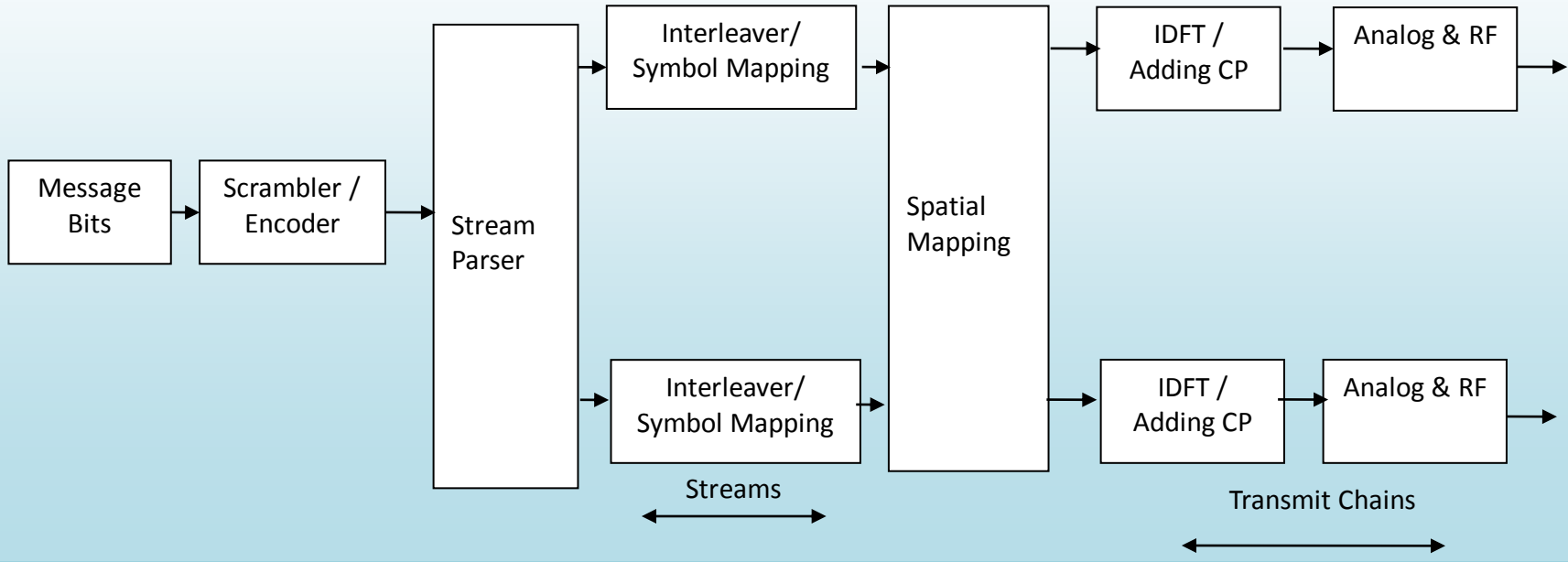


NI WLAN Toolkit Demo

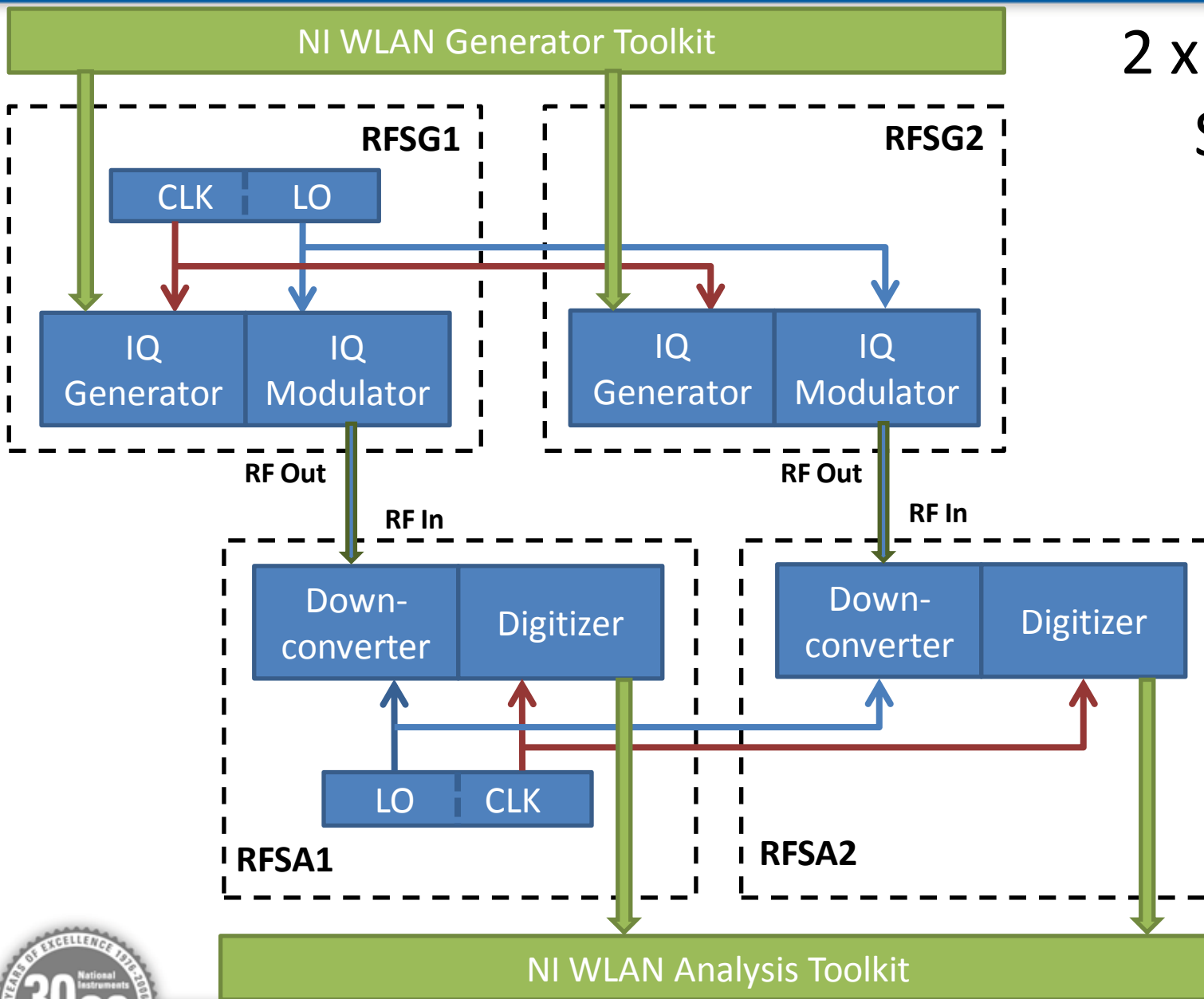
R&D, National Instruments,
Bangalore, India



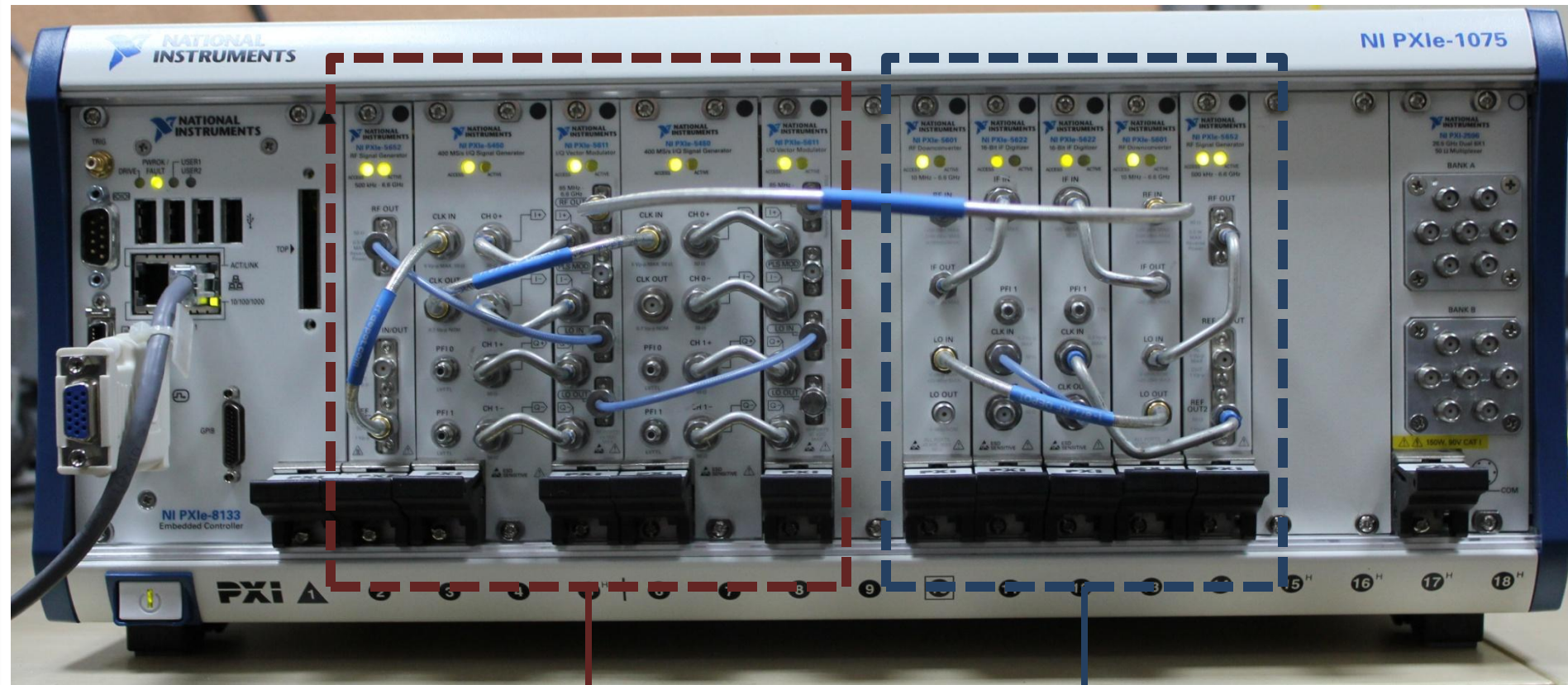
Transmitter Block Diagram



2 x 2 MIMO SETUP



2 x 2 MIMO Hardware Setup



Radio Frequency
Signal Generators
(RFSGs)

Radio Frequency
Signal Analyzers
(RFSAs)



- NI WLAN Generation Toolkit
 - Generates 802.11 a/b/g/n signals
 - Can add impairments to the transmit signals
 - Carrier Frequency Offset, Sample Clock Offset, IQ Gain Imbalance, Quadrature Skew, DC Offsets
- NI WLAN Analysis Toolkit
 - Analyzes 802.11 a/b/g/n signals
 - Measurements
 - Demodulation: Channel and Stream EVMs, Power, Cross Power, Impairments, Channel Frequency Response
 - MAC CRC
 - Spectrum: Spectral Mask, Occupied Bandwidth



Demo



ni.com



Thank you
Questions?

